

Standard Preparation Sink for Dishwasher with 2 Bowls & Left Drain

ITEM # _____

MODEL # _____

NAME # _____

SIS # _____

AIA # _____



133198 (NDBD1817L)

Sink unit for undercounter dishwasher with 2 bowls 500x500mm and left hand drainer, 1800mm

Short Form Specification

Item No. _____

Entirely made from stainless steel. The 50mm high worktop in 304 AISI stainless steel, 1mm in thickness, has an overflow rim and welded corners. Integral rear upstand, h=100mm, with 8mm radius. All-round apron (except where the dishwasher is placed). Lower shelf placed under the bowls. Square section legs 40x40mm on 1" height-adjustable feet (+/-20mm)
N. 2 bowls mm600x500x300h with overflow pipe and 2" drain hole; drainer (on the left hand side) with void under space to lodge an undercounter dishwasher.

Main Features

- Sturdiness, stability and reliability of table accurately tested.

Construction

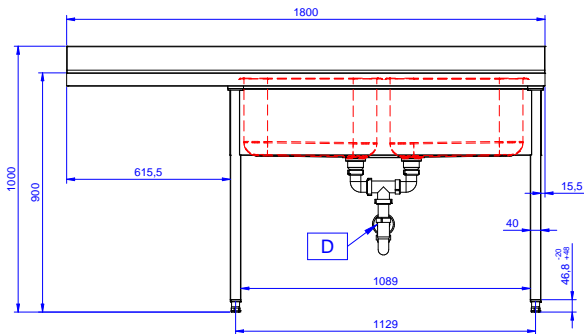
- 50 mm worktop in 304 AISI stainless steel, 10/10 in thickness with overflow rim along the top.
- 100 mm upstand with 8 mm radiused corner and 13 mm deep, designed to be used against a wall.
- Square section legs and 40 mm height-adjustable feet in 304 AISI stainless steel.
- Sink tops easily slotted onto the legs and taps are easily installed from the rear.
- 40 mm-thick lower shelf slots easily into place at a height of 200 mm from the floor. solid shelves supplied as standard, perforated shelves supplied on request.
- Bottom part of drain left free to house an undercounter dishwasher.
- Wide range of taps are available to suit every need.
- Drainage area suitable for drying operations
- 100 mm upstand with 10 mm radiused corner and 13 mm deep, designed to be used against a wall.

Optional Accessories

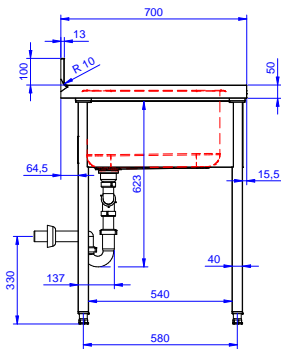
- Double plastic drain syphon 2" PNC 850022
- Lower shelf for 1200mm tables and sinks and for 1800 mm undercounter dishwasher sinks PNC 855145
- 3-sided underframe for 1200mm tables PNC 855152
- Wheel kit for cupboards, 4 wheels (2 with brakes), D=1000 mm PNC 855299
- Retractable hose spray unit, 10 meters PNC 855320
- Retractable hose spray unit, 15 meters PNC 855321
- Elbow operated mixer tap with spout, 3/4" single hole PNC 855322
- Elbow operated mixer tap short spout, 3/4" single hole PNC 855323
- Retractable hose spray unit, 6 meters PNC 855327
- Foot operated Mixer tap with spout & with hot&cold pedals, 3/4" PNC 855328
- False bottom for right and left hand 500x500 mm bowl PNC 895200
- Single plastic drain syphon 2" for sinks PNC 895313

APPROVAL: _____

Front

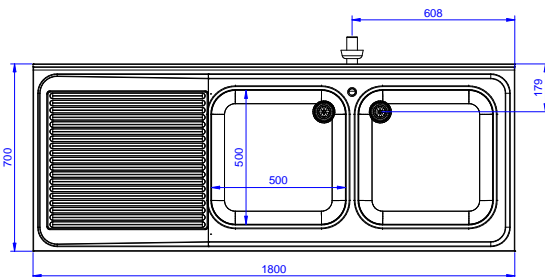


Side



D = Drain

Top



Key Information:

External dimensions, Width:	1800 mm
133198 (NDBD1817L)	
External dimensions, Depth:	700 mm
External dimensions, Height:	1000 mm
Upstand Dimensions, Height:	100 mm
Upstand Dimensions, Depth:	13 mm
Upstand Dimensions, Radius:	R=17
Bowls number	2
Bowl dimensions	500x500xH250
Worktop thickness:	50 mm
Net weight:	62 kg